

Name: _____

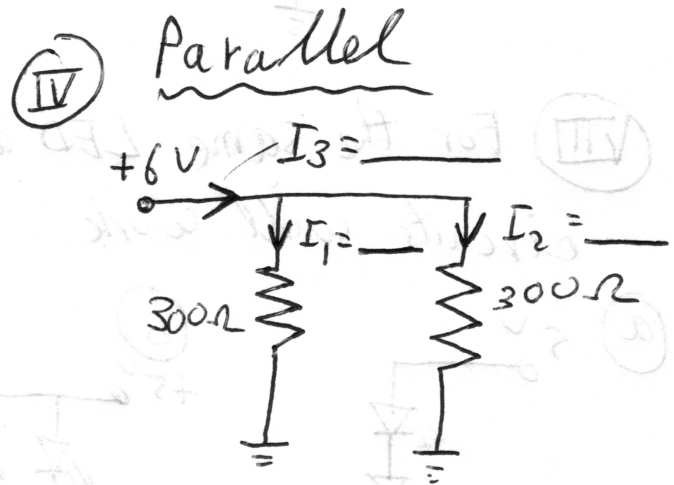
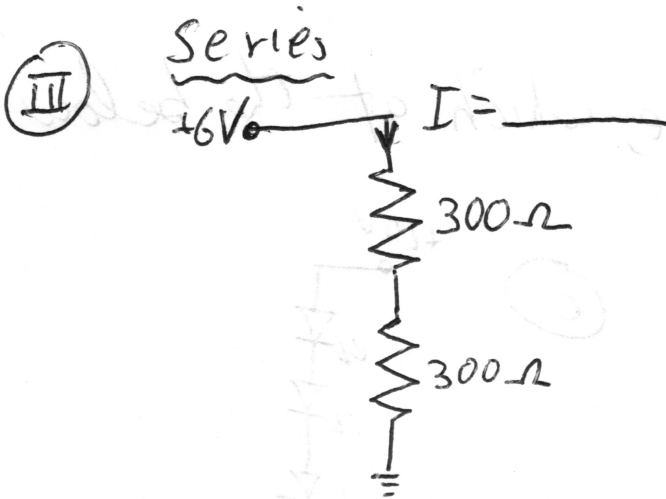
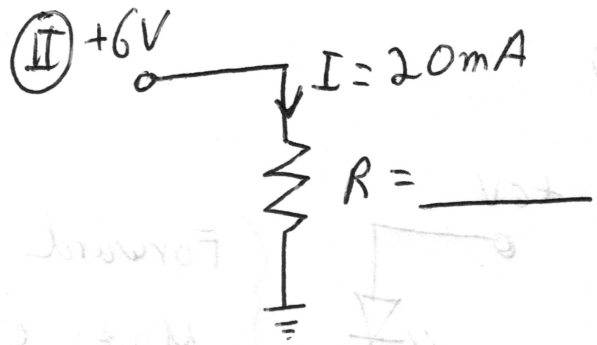
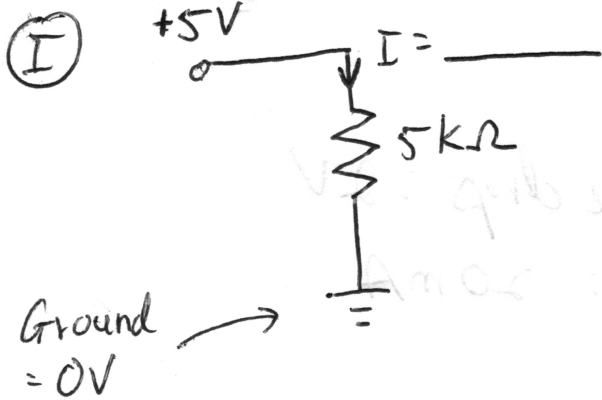
Ohm's law: $\frac{V}{I} = R$

V units: _____ V
I units: _____ A
R units: _____ Ω

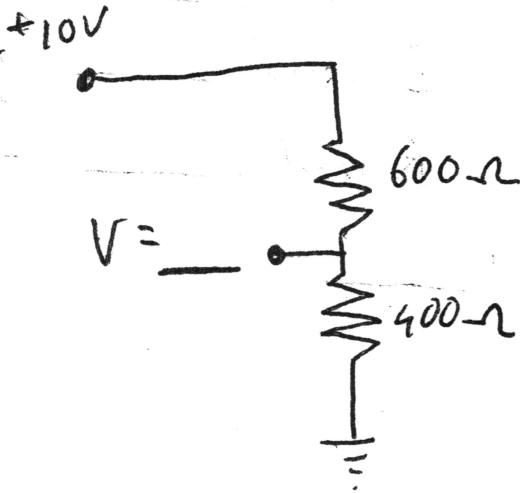
$1,000 \Omega = 1 \text{ k}\Omega$

$1000V = 1 \text{ kV}$

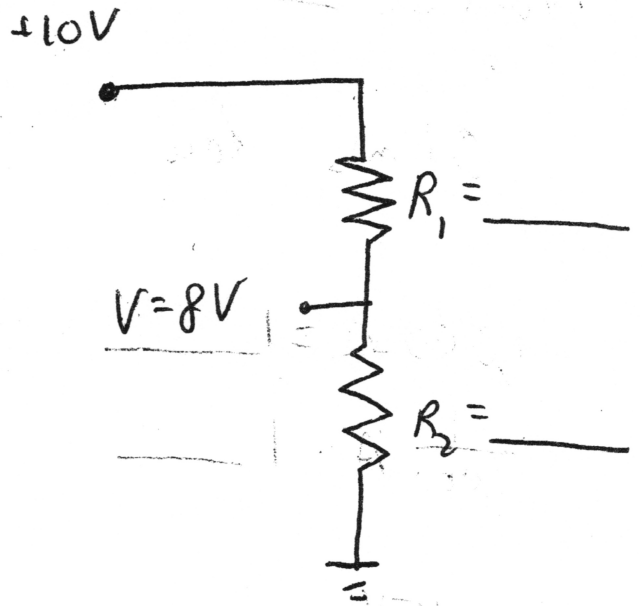
$\frac{1}{1,000} A = 1 \text{ mA}$



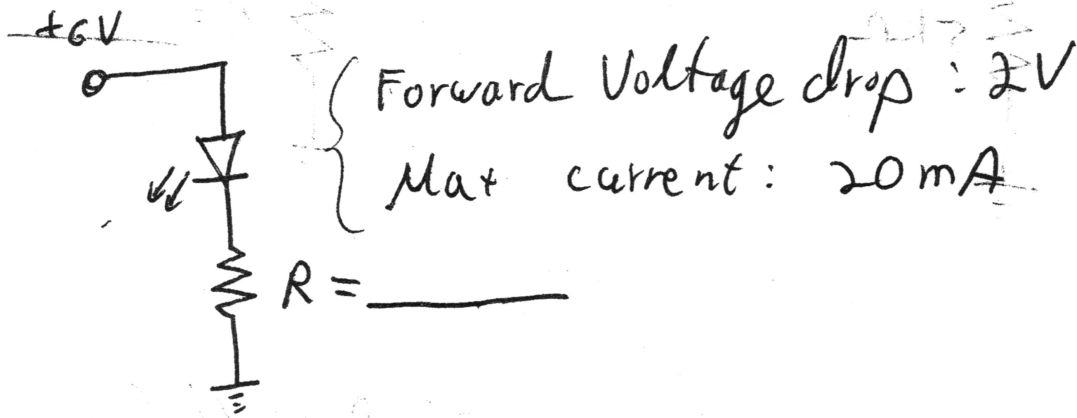
(V) Voltage divider



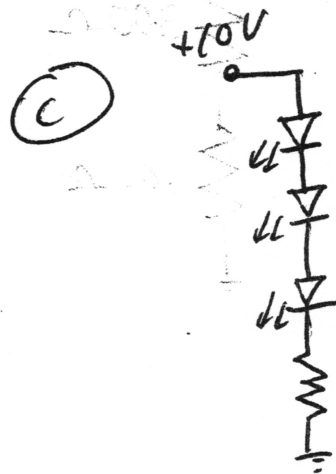
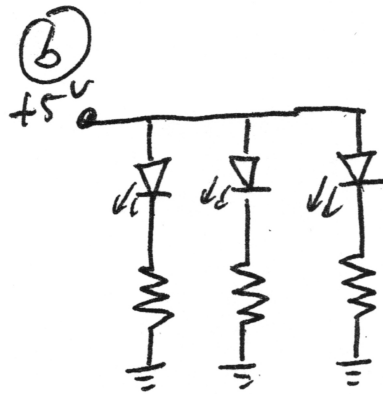
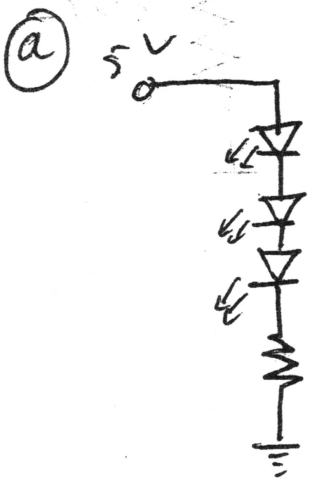
(VI)



(VII)



(VIII) For the same LED as above, which of the below circuits will work.



(IX) Breadboard.